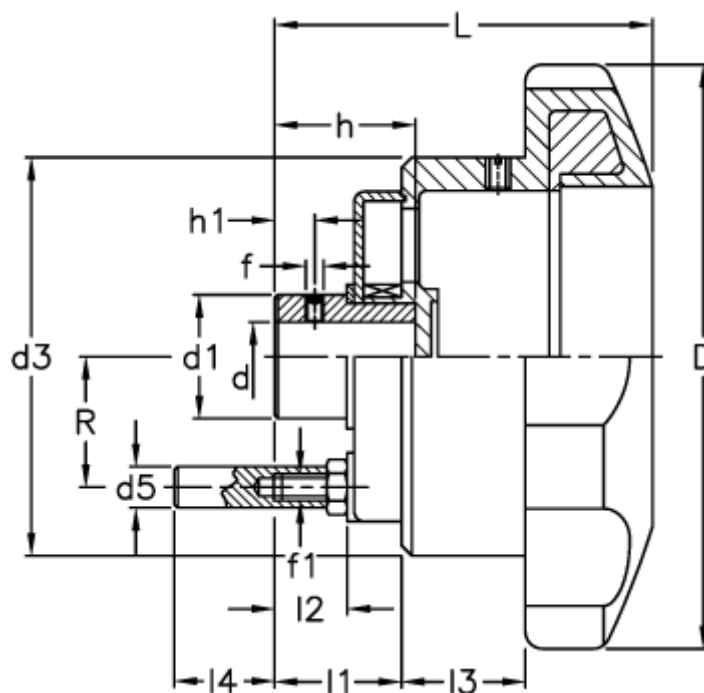


Data Sheet



Article number: 2307030252
Description: E+G Lobe handknob
VHT.85-PXX1-A10

Measures



| | | | |
|------|--------|----|--------|
| D | = 85 | h1 | = 5 |
| d1 | = 18 | L | = 55 |
| d3 | = 58 | l1 | = 18.5 |
| d5 | = 6 | l2 | = 10.5 |
| d H7 | = 10 | l3 | = 18 |
| f | = M5 | l4 | = 14.5 |
| f1 | = M4 | R | = 19.0 |
| h | = 20.5 | | |